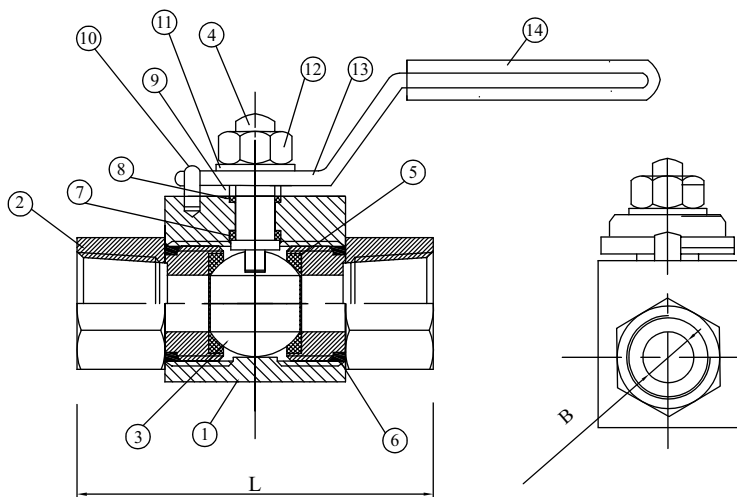
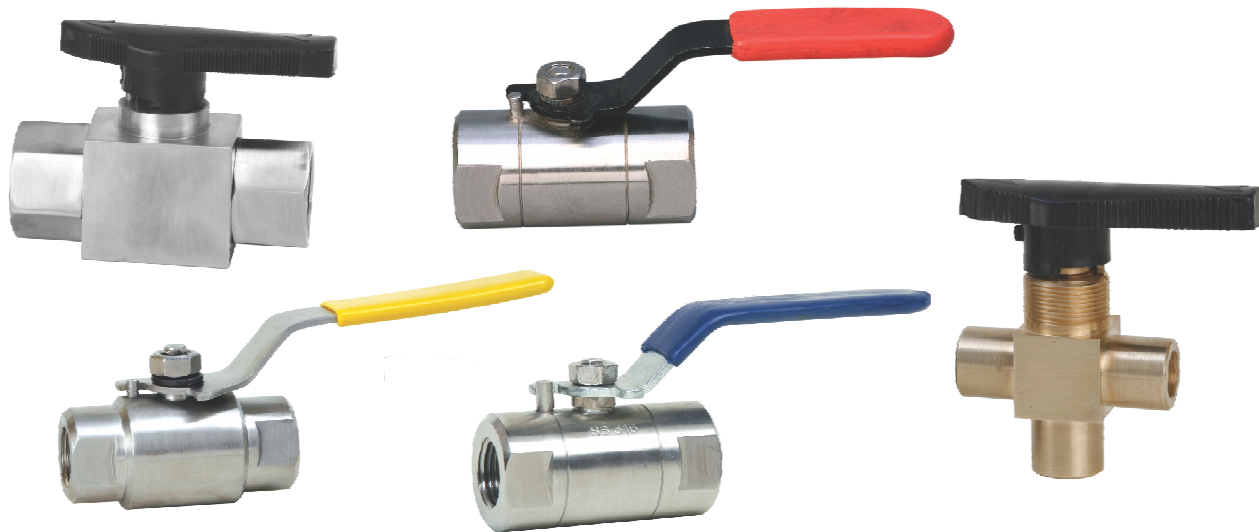


A-39.BV4

BALL VALVE

Instrumentation Ball Valve one piece ball stem ensures alignment of stem and orifice it reduce potential leak points does not require system pressure to seal is easily cleaned and purged available in square and round Body



MATERIAL OF CONSTRUCTION

Sr. No	DESCRIPTION	MATL.	QTY.
1	BODY	SS 316	1
2	CONNECTIONS	SS 316	2
3	BALL	SS 316	1
4	STEM	SS 316	1
5	SEATS	DELRIN/PEEK	2
6	JOINT SEAL	VITON	2
7	GLAND SEALS	P.T.F.E.	1
8	BACK UP SEAL	P.T.F.E.	1
9	RETAINER	SS 304	1
10	STOP PIN	SS 304	1
11	WASHER	CS PLATED	1
12	STEM NUT	CS PLATED	1
13	HANDLE	CS PLATED/SS	1
14	SLEEVE	P.V.C.	1

Material of Construction

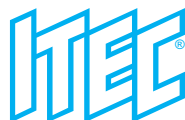
- C = Carbon Steel
- S = SS 316 (std)
- S4 = SS 304
- SL = SS 316L
- M4 = Monel 400
- M5 = Monel 500
- H = Hastelloy C

Optional: A.39.BV 10 - High pressure Ball valves for 10,000 psi pressure

NOTE:

* Dimensions Are For Reference Only. Subject To Change.

INLET	OUTLET	TPR. 6000PSI		TPR. 10000PSI	
		L	B	L	B
1/4"NPT(F)	1/4"NPT(F)	58	6.4	65	6.4
3/8"NPT(F)	3/8"NPT(F)	60	8.5	68	8.5
1/2"NPT(F)	1/2"NPT(F)	75	11.5	80	11.5
3/4"NPT(F)	3/4"NPT(F)	80	19	85	19
1"NPT(F)	1"NPT(F)	87	25	95	25
1 1/4"NPT(F)	1 1/4"NPT(F)	112	32	125	32
1 1/2"NPT(F)	1 1/2"NPT(F)	120	38	135	38
2"NPT(F)	2"NPT(F)	130	50	150	50



ITEC srl
 VIA C. BATTISTI 114/B
 28045 INVORIO (NO) ITALY
 TEL. 00 39 0322 259 759
 FAX. 00 39 0322 255 157
 e-mail: info@itec.it

A-39.BV4

BALL VALVE

How to order : A-39.BV4, A-39.BV10

Body Material	Stem Packing	Size = P x P1	Connections (inlet x outlet)	Threads
C = Carbon Steel S = SS 316 S4 = SS 304 SL = SS 316L M4 = Monel 400 M5 = Monel 500 H = Hastelloy C B = Brass	P = PTFE G = Grafoil	22 = 1/8" x 1/8" 24 = 1/4" x 1/4" 33 = 3/8" x 3/8" 44 = 1/2" x 1/2" 66 = 3/4" x 3/4" 88 = 1" x 1"	FF = Female x Female MF = Male x Female MM = Male x Male SW = Socket Weld TT = Tube x Tube	N = NPT (ANSI B 1.20.1) P = BSPP (BS 2779, ISO 228/1) B = BSPT (BS 21, ISO 7/1)

Options -

CE	: Carbon Steel Plated Handle.
SE	: SS Handle
TF	: Compliance to NACE standard MR-0175.
GH	: Material test certificate
GO	: Hydro test certificate
RB	: Round Body (Low Pressure Below 3000 psi)
SB	: square body (High Pressure Above 3000 psi)

Ordering Example:

To place an order simply refer to the codes in the table.

Valve Type :	Body Material +	Stem Packing +	Size +	Connections +	Threads +	Options					
A-39.BV4	S	+	P	+	44	+	FF	+	N	=	A-39.BV4 - S - P - 44 - FF - N - Options

Note:

The weld prepared types are available with a male-or-female plain end - suitable for socket weld, or male butt weld end. Always specify pipe schedule and further requirements when ordering valves for welded or Flange connections. Panel mounting option for installation in racks and panels.

Standard Valve Materials

Valve	Body	Bonnet	Stem	Tip
Carbon Steel	CS A105	CS A105	SS 304	SS 304
Stainless Steel	SS 316	SS 316	SS 316	SS 316
Monel	Monel	Monel	Monel	Monel



ITEC srl
VIA C. BATTISTI 114/B
28045 INVORIO (NO) ITALY
TEL. 00 39 0322 259 759
FAX. 00 39 0322 255 157
e-mail: info@itec.it

